

**Step #1**

Lay spa cover on spa in the fully closed position. Determine where the mid-point of the spa is and slide the Lower Bracket assembly under the spa. **Do not attach to the spa at this time (see Fig. 1).**

**Step #2**

Attach two Ball Studs to the Pivot Arm Assembly and the the Upper Bracket assembly. (see Fig. 2a & 2b).

**Step #3**

Using the 3/8" x 3" Bolts, 3/8" flat washers and 3/8" Lock Nuts, attach the Pivot Arm assembly to the Upper Bracket assembly. (see Fig. 3). **Note: Overtighten bolts and then back off nut until Pivot Arm moves freely.** Next, lay the Pivot Arm assembly on top of the spa cover and match the Upper and Lower Bracket assemblies together and connect with the (4) 3/8" x 3/4" Bolts, 3/8" flat washers and Lock Nuts. (see Fig. 4)

**Step #4**

Insert the Inner Support Arms into the Pivot Arm assembly. **Note: The long end of the Support Arm connects to the Pivot Arms.** Slide the Outer Handles on to the Inner Support Arms. (see Fig. 5). **Note: There is a Right and Left Outer Handle - when placed on their appropriate sides, the U-shape retainer clips face downward.** Position the Outer Handle assemblies so that the Retainer Clips slide under the cover's hinge, between the two cover halves. Position and align the Inner Support Arms and the Pivot Arms so that the Inner Support Arms are running parallel to the cover hinge, approximately 3/4" away from the hinge. (see Fig. 6).

**Step #5**

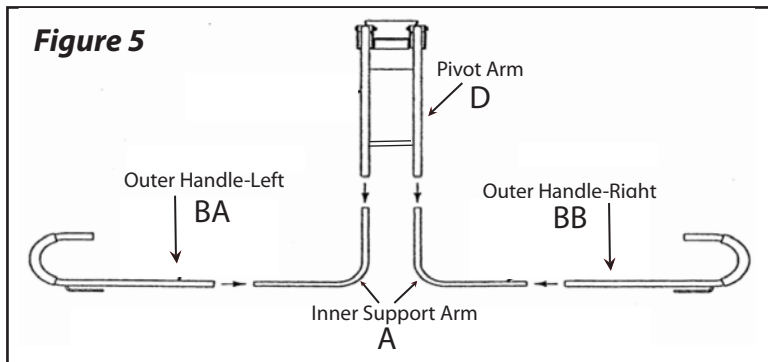
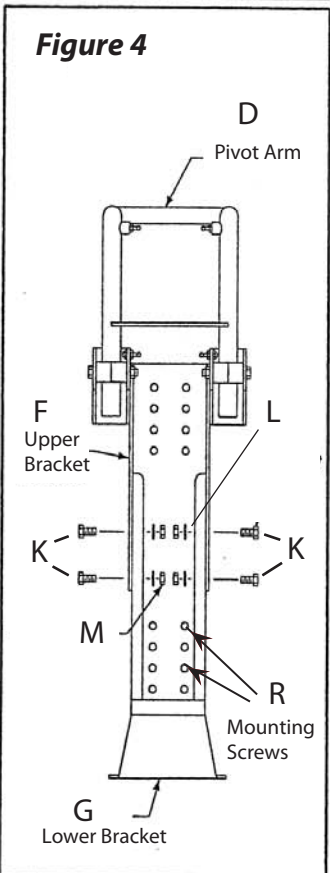
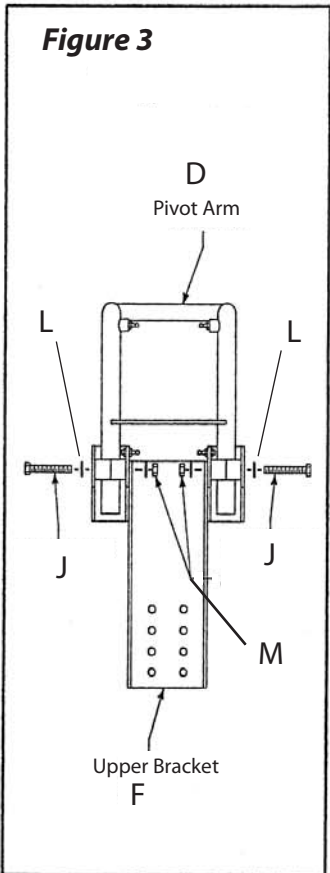
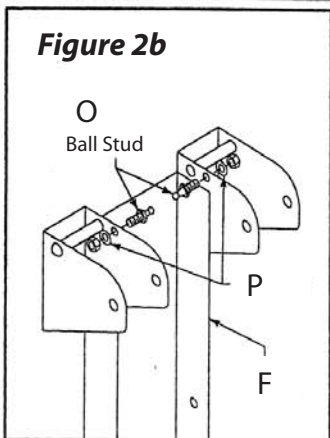
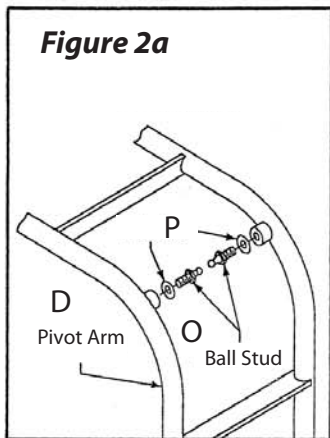
With the Tube assembly and positioning complete, insert the 5/8" Self Tapping Screws into the predrilled pilot holes. **Note: A trick to getting the cover level - put one screw in the middle pilot hole of the Pivot Arms. Flip the cover open and lift into the open position. Stand back and view which side needs to be raised or lowered to be level.**

**Step #6**

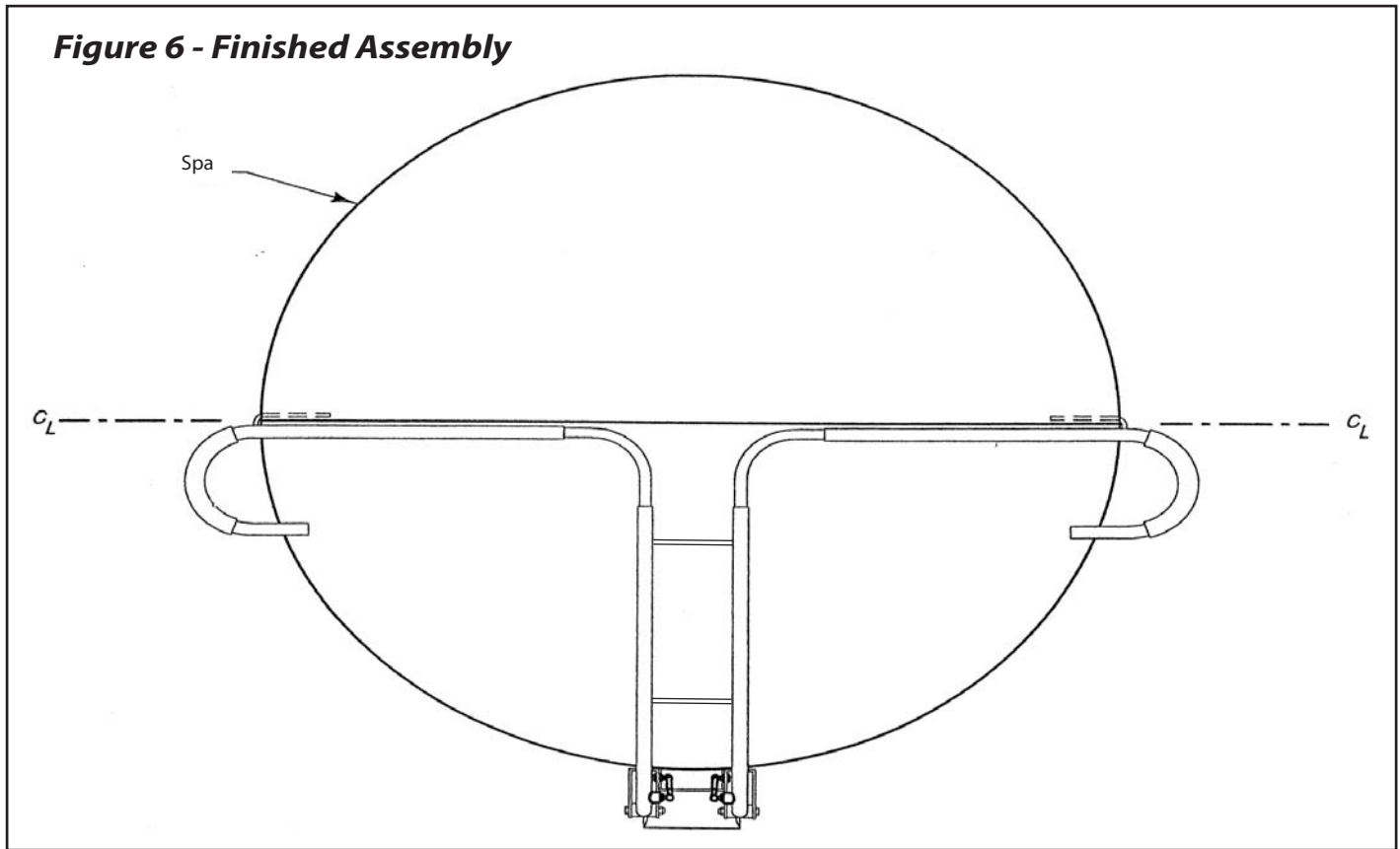
Using a 1/16" drill bit, pre-drill spa cabinet. Attach the Bracket assembly to the spa using the supplied #10 x 1" screws.

**Step #7**

Using the Covermate, lift the folded cover off the spa and snap the shocks on the Ball Studs. **Note: make sure the black body of the shock is on top.** Snap the Small Black Dome Caps on the screw heads to finish assembly.



**Figure 6 - Finished Assembly**



**CAUTION!**

*Do not use the Covermate in high wind condition. Injury from the spa cover being blown over and impacting the spa user can occur.*

ITEM	PART#	DESCRIPTION	QTY
A	100062	INNER SUPPORT ARM	2
BA	100535	OUTER HANDLE - LEFT	1
BB	100536	OUTER HANDLE - RIGHT	1
C	100002	FOAM GRIP	2
D	100255	PIVOT ARM	1
E	100344	BUSHING	4
F	100538	UPPER BRACKET	1
G	100537	LOWER BRACKET	1
H	100246	GAS SHOCK	2
I	100015	LARGE BLACK DOME CAP	8
J	100010	3/8" X 3" HEX CAP BOLT	2
K	100740	3/8" X 3/4" HEX CAP BOLT	4
L	100012	3/8" FLAT WASHER	12
M	100011	3/8" NYLON LOCKNUT	6
N	100034	HEX PLASTIC DOME CAP	2
O	100244	5/16 BALL STUD	4
P	100739	5/16 FLAT WASHER	4
Q	100032	5/16 NYLON LOCKNUT	2
R	100014	#10 X 1" MOUNTING SCREW	14
S	100013	#10 X 5/8" SELF TAPPING SCREW	18
T	100016	SMALL BLACK DOME CAP	32